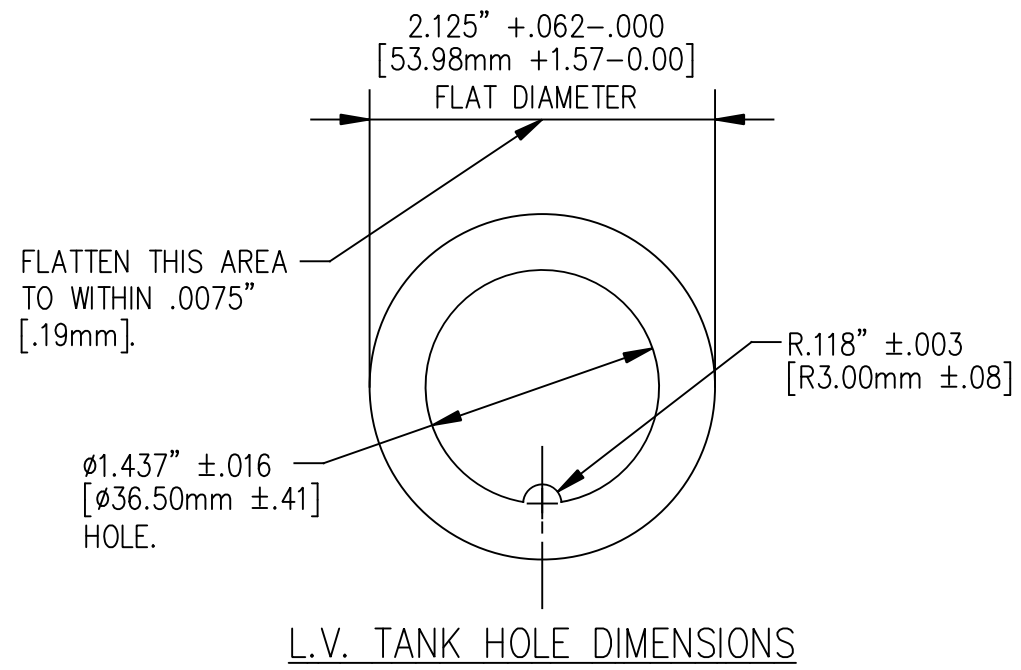
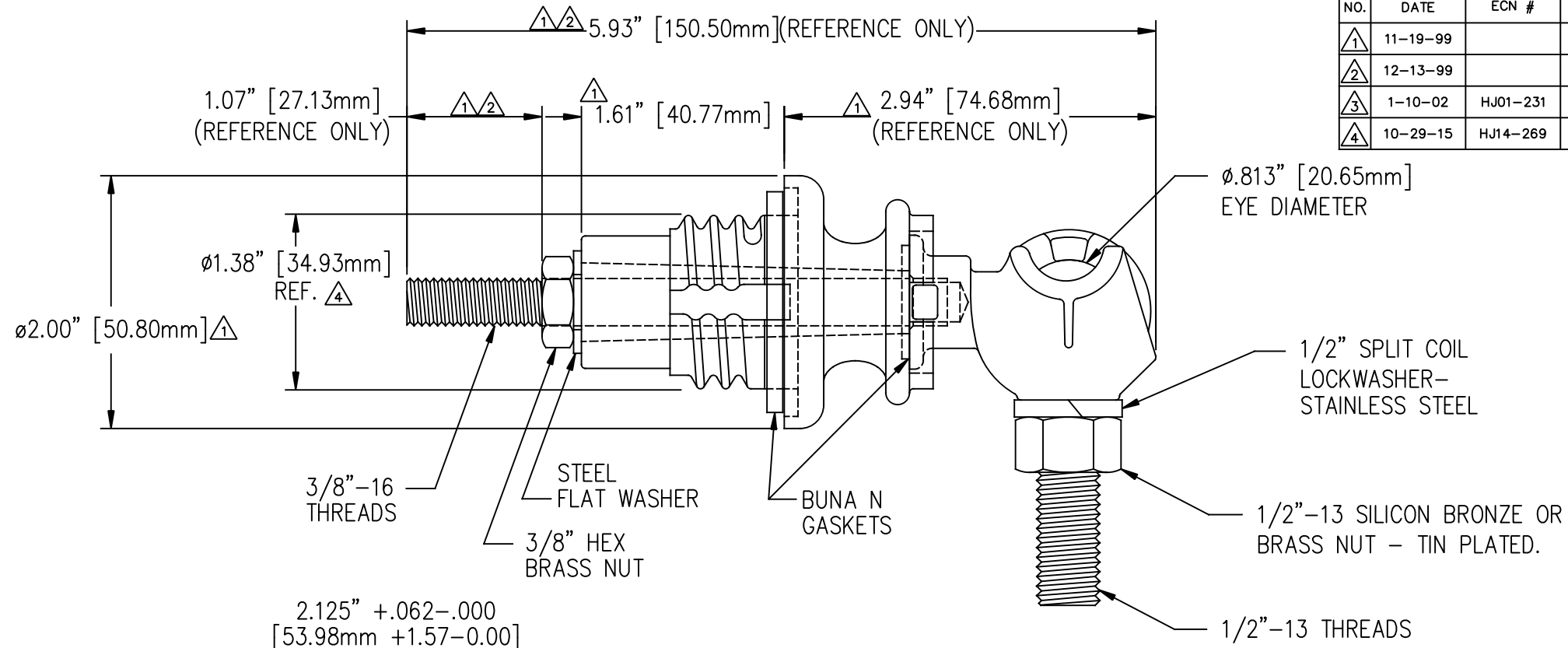
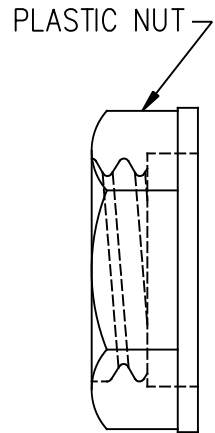


REVISIONS					
NO.	DATE	ECN #	REMARKS	BY	APPD.
1	11-19-99		EDITED DIMENSIONS.	CJT	LHE
2	12-13-99		EDITED DIMENSIONS.	CJT	LHE
3	1-10-02	HJ01-231	REMOVED TORQUE NOTE.	CJT	LHE
4	10-29-15	HJ14-269	Ø1.38 REF. WAS Ø1.39	CLS	BLB



NOTES:  
 STUD - COPPER CDA 110  
 BODY - CDA 844 TIN PLATED  
 EYEBOLT - CDA 955 TIN PLATED

TOLERANCES (EXCEPT AS NOTED)  DECIMAL $\pm .032\"/> $		<b>H-J ENTERPRISES, INC.</b> 3010 HIGH RIDGE BLVD. HIGH RIDGE, MO. 63049 USA PHONE 1-636-677-3421 FAX 1-636-376-1915			
		25 KVA L.V. BUSHING ASSEMBLY NON-PORCELAIN INSULATOR			
		MATERIAL (SEE ABOVE)			
		CHK'D	APP'D	DRAWING NO. AS1001-006	
±	DRAWN BY TLH	DATE 4-22-96	SCALE N.T.S.		